

# Professional UHF Wireless Systems

## ATW-BH1 Antenna Bulkhead Connector Kit

### Installation and Operation



The Audio-Technica ATW-BH1 is an antenna bulkhead connector kit.

The ATW-BH1 allows you to mount antennas away from the receiver. When wireless receivers are installed in metal equipment racks or other enclosures, it may be necessary to locate the antennas on the outside of the enclosure or on a separate rack panel in the enclosure in order to improve RF performance.

#### Kit Contents:

Each ATW-BH1 Antenna Bulkhead Connector Kit contains two BNC bulkhead connectors with mounting hardware and two 3' RG-58 BNC – BNC cable assemblies. (Note: this kit does not contain antennas, drill bits or "D" punches.)

#### Installing and Using the ATW-BH1:

**First**, determine the locations for each of the BNC bulkhead connectors. Possible locations include the top of an equipment rack, the sides of the rack, or a blank panel mounted to the front or rear of the rack. If the kit is being used to remotely mount the receiver's standard antennas, please observe the following recommendations:

1. The BNC connectors must be mounted to a metal surface at least 8" W x 8" L to maintain the proper ground plane requirements for the antenna. The metal surface must be no thicker than 0.217" (5.5 mm).
2. Each pair of antennas should be spaced at least 8" apart.

3. There must be sufficient clearance behind the BNC bulkhead connector to accommodate the BNC cable and its connector.

**Second**, punch or drill a mounting hole in the desired location for each BNC bulkhead connector.

Maximum panel thickness: 0.217" (5.5 mm).

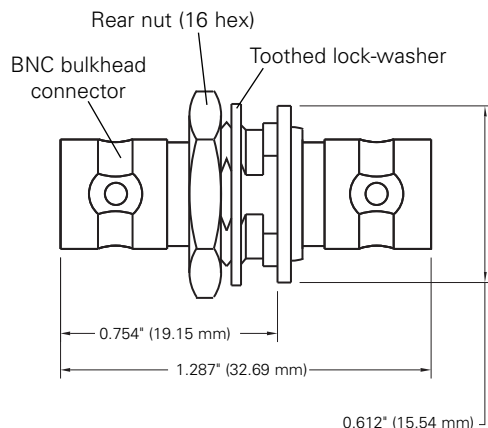
Recommended dimensions of the mounting hole (see diagram): 0.476" (12.10 mm) high; 0.512" (13.00 mm) wide.

**Third**, mount each BNC bulkhead connector using the included hardware. Place the toothed lock-washer between the panel and rear nut (see diagram below). Tighten the rear nut securely to ensure a good ground connection. **Note:** If the panel surface is painted, make certain that a solid metal-to-metal contact is made between the bulkhead connector and panel.

**Fourth**, attach one end of each included BNC cable to each BNC bulkhead connector; attach the other end of each included BNC cable to the wireless receiver's or antenna distribution amplifier's antenna input connection.

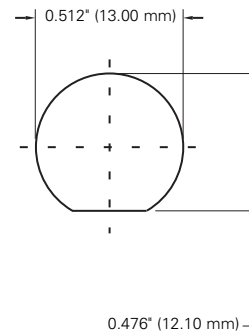
**Finally**, mount the receiver's antennas to each of the BNC bulkhead connectors.

BNC bulkhead connector with mounting hardware



Note: Place the toothed lock-washer between the panel and rear nut.

Recommended mounting hole



Note: Maximum panel thickness: 0.217" (5.5 mm).

### One-Year Limited Warranty

Audio-Technica brand products purchased in the U.S.A. are warranted for one year from date of purchase by Audio-Technica U.S., Inc. (A.T.U.S.) to be free of defects in materials and workmanship. In event of such defect, product will be repaired promptly without charge or, at our option, replaced with a new product of equal or superior value if delivered to A.T.U.S. or an Authorized Service Center, prepaid, together with the sales slip or other proof of purchase date. **Prior approval from A.T.U.S. is required for return.** This warranty excludes defects due to normal wear, abuse, shipping damage, or failure to use product in accordance with instructions. This warranty is void in the event of unauthorized repair or modification, or removal or defacing of the product labeling.

**For return approval and shipping information,** contact the Service Dept., Audio-Technica U.S., Inc., 1221 Commerce Drive, Stow, Ohio 44224.

Except to the extent precluded by applicable state law, **A.T.U.S. will have no liability for any consequential, incidental, or special damages; any warranty of merchantability or fitness for particular purpose expires when this warranty expires.**

This warranty gives you specific legal rights, and you may have other rights which vary from state to state.

Outside the U.S.A., please contact your local dealer for warranty details.



**Audio-Technica U.S., Inc.**, 1221 Commerce Drive, Stow, Ohio 44224 330/686-2600 [www.audio-technica.com](http://www.audio-technica.com)  
**Audio-Technica Limited**, Old Lane, Leeds LS11 8AG England 0113 277 1441 [www.audio-technica.co.uk](http://www.audio-technica.co.uk)